

PRINTABLE TAPES

Studied in the formulation and in the packaging application to satisfy printers necessities. They are all composed by PP film and acrylic water based adhesive, free of solvent and damaging substances. They can be printed with "Corona treatment" or "Primer & Release", the sizes can be customized following customers request.

MAC Autoadesivi proposes its printable tapes in two different packaging forms: Standard Pallet and Carton Pallet.

For printing instruction see pg. 32, 33.

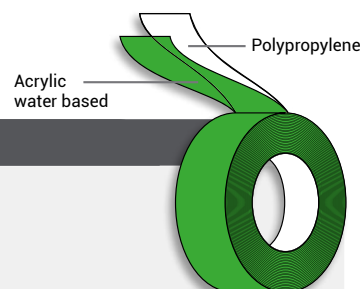
CORONA PRINTABLE TAPES

Items 4030 PR - 4035 PR - 4030 COL PR - 4035 HT PR - 4035 EQ PR



Backing: BOPP film
 Adhesive: Acrylic water-based
 Colours: Brown, Transparent, White, Blue, Green, Orange, Red

- Corona Printable ready to use
- Strong adhesive cohesion to substrate
- Good ink anchorage to substrate



Code	Backing thickness	Total thickness	Width (mm)	Length (m)
4030 PR	28 μ	49 μ	144, 150	660, 990, 1188
4035 PR	32 μ	53 μ		
4030 COL PR	28 μ	49 μ		
4035 HT PR	32 μ	58 μ		
4035 EQ PR	35 μ	64 μ	144, 150	660, 990

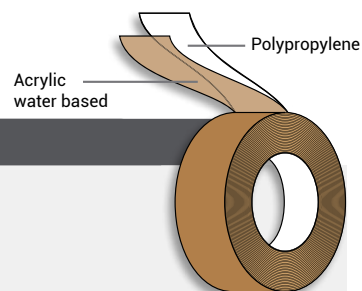
PRIMER & RELEASE PRINTABLE TAPES

Items 4930 PR - 4935 PR



Backing: BOPP film
 Adhesive: Acrylic water-based
 Colours: Brown, Transparent, White

- Primer & Release printable
- Aggressive Adhesive
- Good ink anchorage to substrate

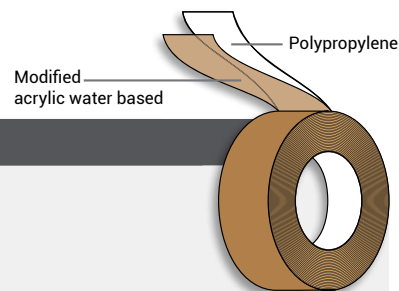


Code	Backing thickness	Total thickness	Width (mm)	Length (m)
4930 PR	28 μ	46 μ	144, 150	660, 990, 1188
4935 PR	32 μ	50 μ		



HMA AND SA PRIMER & RELEASE PRINTABLE TAPES

Items 4930 HMA PR - 4930 SA PR



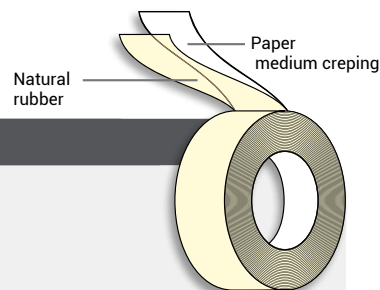
Backing: BOPP film
 Adhesive: Modified acrylic water-based
 Colours: Brown, Yellowish, White

- Primer & Release printable
- Good ink anchorage to substrate
- ART 4930 HMA PR Hot Melt adhesive replacement
- ART 4930 SA PR Solvent based adhesive replacement
- Completely free of solvent and damaging substances

Code	Backing thickness	Total thickness	Width (mm)	Length (m)
4930 HMA PR	28 μ	48 μ	144, 150	660, 990, 1188
4930 SA PR	28 μ	50 μ		

MASKING PRINTABLE TAPES - BROWN PAPER PRINTABLE TAPES

Items 60 S PR - 60 SB PR



Backing: Impregnated paper medium creping
 Adhesive: Natural rubber solvent based
 Colours: Art. 60 S PR Ivory - 60 SB PR Brown

- Printable with water based ink, medium viscosity
- Does not include release use
- 30% max printable surface

Code	Backing weight	Total weight	Width (mm)	Length (m)
60 SPR	59 gr/mq	80 gr/mq	150	500
60 SB PR	60 gr/mq	87 gr/mq		

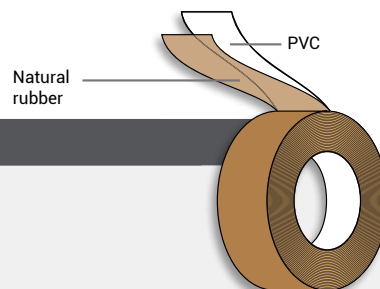
PVC PRINTABLE TAPES

Item 20 PR



Backing: PVC
Adhesive: Natural rubber solvent based
Colours: Brown, Transparent, White

- Aggressive adhesive
- No-noise unwinding
- Highly adaptable



Code	Backing thickness	Total thickness	Width (mm)	Length (m)
20 PR	33 μ	53 μ	144, 150	990



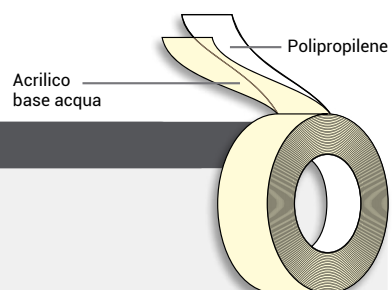
REMOVABLE CORONA PRINTABLE TAPES

Item 6340 PR



Backing: BOPP film
Adhesive: Modified acrylic water-based
Colours: Transparent, White

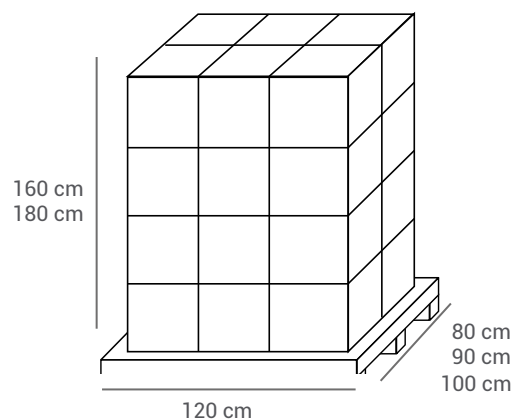
- Corona Printable ready to use
- Transparent and very high anti-aging properties
- Completely free of solvent and damaging substances



Code	Backing thickness	Total thickness	Width (mm)	Length (m)
6340 PR	40 μ	55 μ	144, 150	660, 990, 1056

CARTON FOR PALLET/PALLET SIZE

Code	Length (m)			
	500	660	990	1188
20 PR	60CRT 80X120X160			
4030 PR				
4035 PR				
4030 COL PR		60CRT	48CRT	48CRT
4930 PR		80X120X160	90X120X160	100X120X160
4935 PR		75CRT	60CRT	60CRT
6340 PR		80X120X180	90X120X180	100X120X180
4930 HMA PR				
4930 SA PR				
4035 HT PR		48CRT		
4035 EQ PR		90X120X160		
	60CRT		48CRT	
	90X120X180		100X120X160	
60SPR	60CRT			
60SB PR	80X120X160			

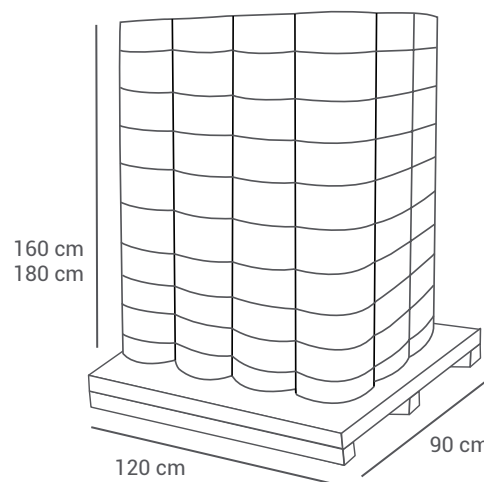


*Important: The drawing shows the pallet dimensions but not the actual quantity of cartons for pallet

Composed by rolls in cartons. Indicated for those customers selling and not having an immediate usage in time. (rolls are protected).

ROLLS FOR CARTON PALLET/ CARTON PALLET SIZE

Code	Length (m)	
	990	1188
4030 PR	96 rotoli 90X120X160	96 rotoli 90X120X160
4035 PR		
4030 COL PR		
4930 PR		
4935 PR		
6340 PR		
4930 HMA PR		
4930 SA PR		
4035 HT PR		
4035 EQ PR	96 rotoli 90X120X160	



*Important: The drawing shows the pallet dimensions but not the actual quantity of cartons for pallet

Composed by loose rolls one above the other on many plans, separated by a layer of film, to avoid that they stick to each other. They are wrapped with extensible film and packed in one big carton. This reduce the quantity of used paper and allows a quicker taking of the rolls.

ROLLS FOR CARTON

Width (mm)	Rolls
144	2
150	2

How to print our products

CORONA PRINTABLE TAPE - ART. 40

We can't specify the exact level of the Corona treatment for every situation as the best level can change according to the machinery used and the environmental conditions. Normally the best results are obtained with treatment values between 36 and 38 dyne/cm (measured immediately after the treatment).

SUGGESTION FOR THE CORONA TREATMENT

- Distance between the discharge station and the rubber roller must be minimal: about the same thickness of a paper sheet
- Always clean the treater at the end of the day

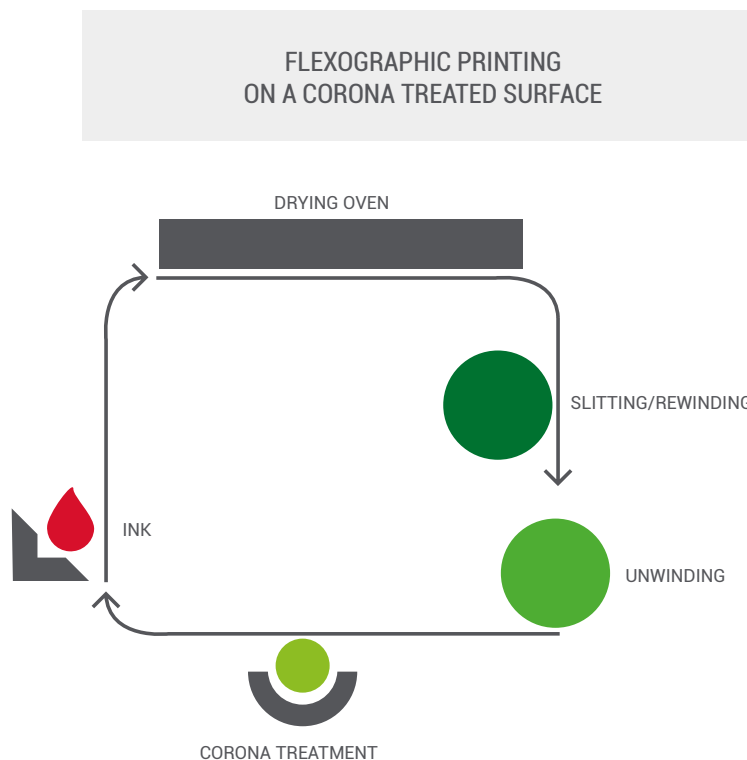
POSSIBLE PROBLEMS AND CAUSES

INK MIGRATION:

- Insufficient level of Corona treatment
- Insufficient drying of the ink

ADHESIVE MIGRATION:

Excessive level of Corona treatment. If the problem persists please contact our customer service



HOW TO PRINT OUR PRODUCTS

PRIMER AND RELEASE PRINTABLE TAPE - ART 49

Before the ink apply a substance that assures its anchorage (Primer).
Before the rewinding apply an anti-adhesive component (Release agent).

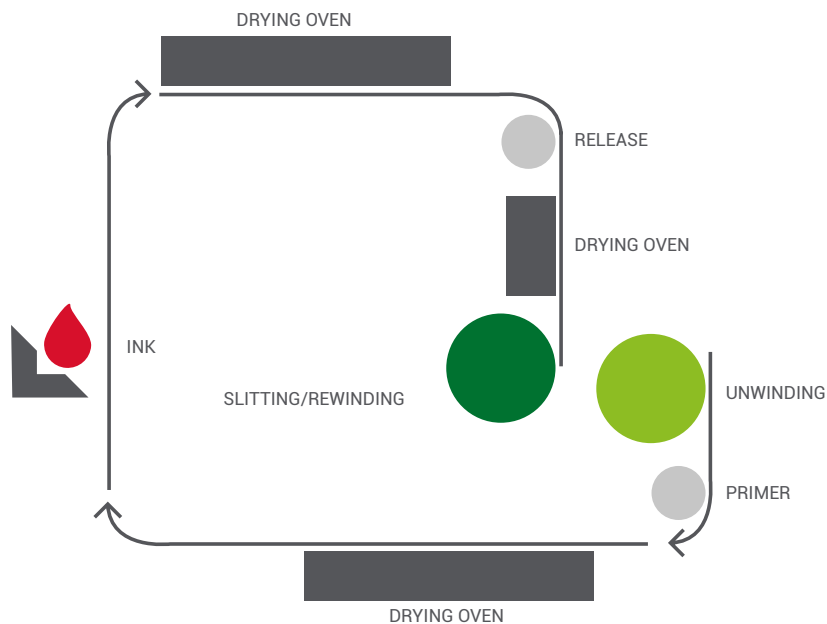
POSSIBLE PROBLEMS AND CAUSES

INK MIGRATION:

- Insufficient ink drying
- Insufficient release drying

ADHESIVE MIGRATION:

It is very rare, in this case please contact our customer service



HOW TO PRINT OUR PRODUCTS

PRINTABLE MASKING TAPES - ART 60

Our item Art. 60 has to be printed with water based ink, medium viscosity which does not include release use. Moreover, it may be diluted with water, according to one's own experiences in order to increase his drying. Our customer service can suggest you the most appropriate solution.

SUGGESTION FOR PRINTING

- Printing of our item 60 simply considers ink application and its drying.
- The item is not printable in negative.
- 30% Max printable surface.

