

Pylon

Vista Light series



Vista Light's double sided pylon is constructed from 2 VL aluminum extrusions an end cap, face inserts and a base for either portable or permanent installation. The signs can be used with or without illumination.

Dimensions:

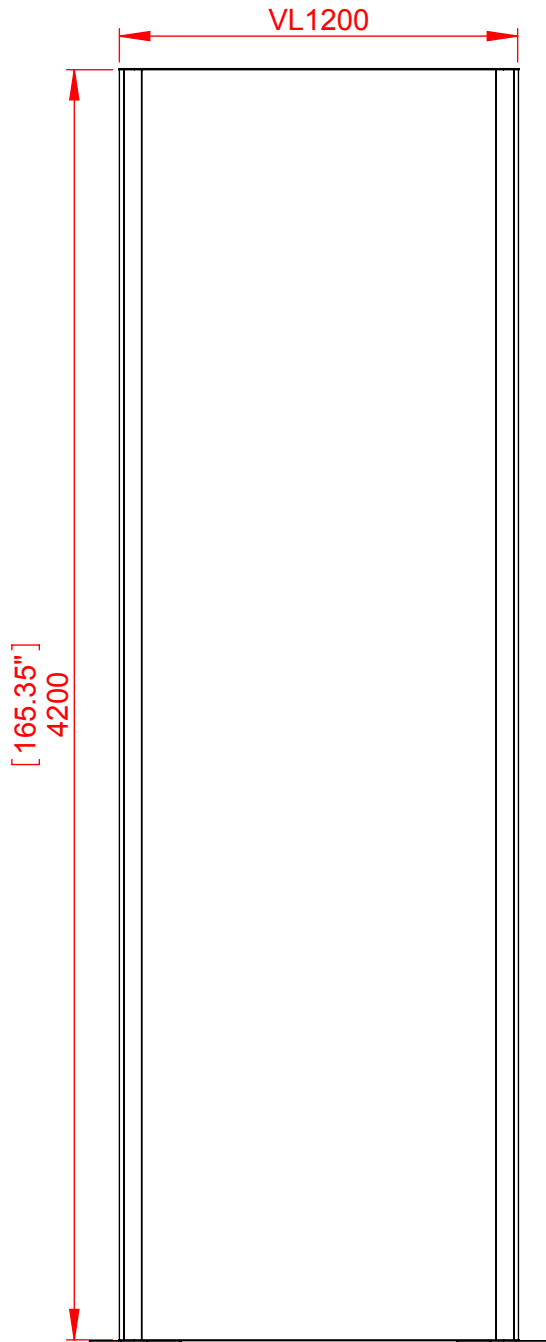
Vista Light sign pylon frames are offered in 10 different widths:

10", 12", 16", 20", 24", 28", 32", 36", 40", 48"

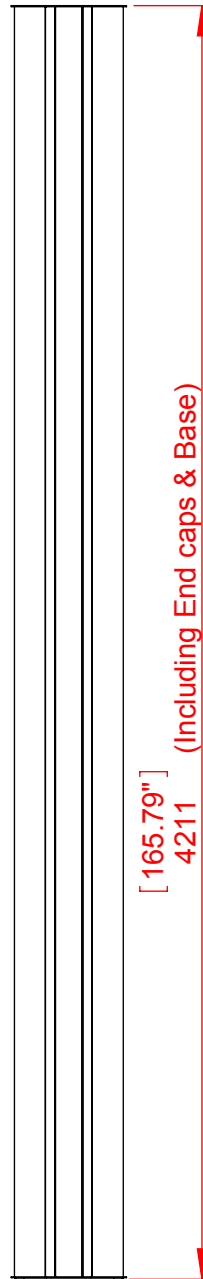
(VL250, VL300, VL400, VL500, VL600, VL700, VL800, VL900, VL1000, VL1200 (mm))

Length: 40'-114" (1000 mm – 2900 mm)

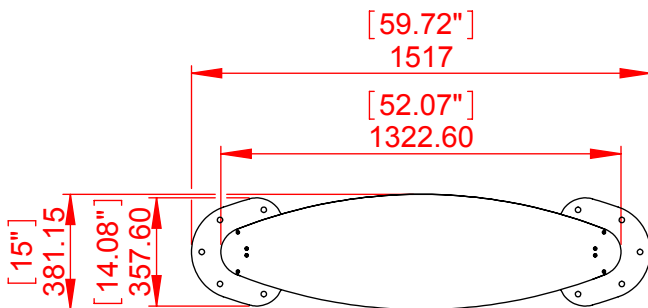
Custom lengths are available.



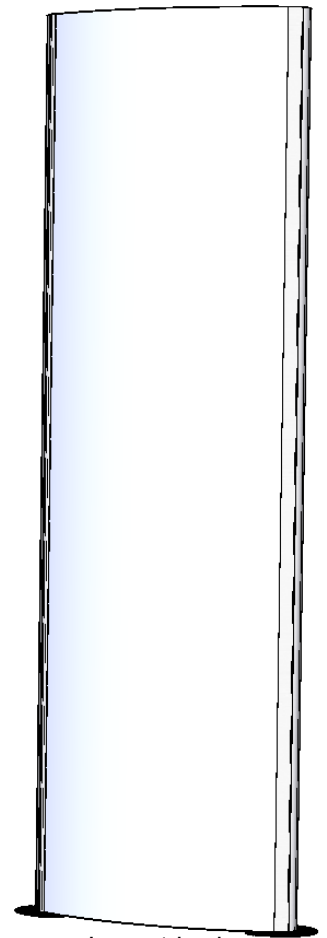
Front view



Side view



Top view



Isometric view



Project	Vista system	Designer: R.C
Model	Double sided VL1200x4200	Date: 25/08/2015
Part Number		Scale:
Material		Measurements in millimeters Do not scale drawing

Proprietary and confidential: The information contained in this drawing is the sole property of Vista system Limited. Any reproduction; copying; distribution or any other use in part or as a whole without the written permission of Vista system Limited is prohibited. This ban includes any use by any third party that did not receive this information from Vista system Limited.